

PRELIMINARY

LUMENIA



Solar solution for street lighting



LIGHT POLLUTION ELIMINATION



LOWER CO2 EMISSION



ECO DESIGN



RECYCLING



PROGRAMMABLE POWER SUPPLY



5 YEARS WARRANTY

Green environment has always been our main concern, so we are now able to provide you with a solar system for street lighting, which uses renewable energy, in this case the sun. The advantage in using a system like this is low installation costs for areas with no public power grids. Top quality components, made in EU, and our development distinguish this system as reliable with prolonged service life.



FUNCTIONAL SPECIFICATION:

- System autonomy for up to 30 h
- Automated switch ON/OFF function
- Automated settings for dimming levels during the night, according to batteries SOC
- MPPT charging function
- Manual settings for dimming levels during the night
- Bluetooth programming and monitoring
- Solar panel vertical angle adjusting from 20° to 40°
- Solar panel horizontal angle adjusting for 360

APPLICATION AREAS:

- Areas with no public power grids
- Bus stations
- Urban and industrial areas
- Parks, squares, gardens
- Pedestrian and cycle paths
- Car parks, service roads
- All types of roads



TECHNICAL SPECIFICATION E LUM SOLAR

Angle adjustments	20°-40° (vertical); 360° horizontal
System Autonomy	30 h
Battery bank	100Ah LiFeYPO4 7000 cycle life time at 70% DOD
PV Module	205 W
Operating Temperature	-20 °C to +50 °C
Programming / Monitoring	Bluetooth application
Dimming levels	100% - 0%
Default dimming protocol	automated dimming
Charging function	MTTP (Maximum power point tracking)
IP protection	IP 66 (battery box, IP 45)
Installation height	Up to 10 m
Pole diameter	Fi 60 mm
Load-carrying capacity of the pole	75 kg
Battery bank	100 Ah LiFeYPO4, 7000 cycle lifetime at ELUM 60W 60 Ah LiFeYPO4, 7000 cycle lifetime at ELUM 30W

TECHNICAL SPECIFICATION E LUM

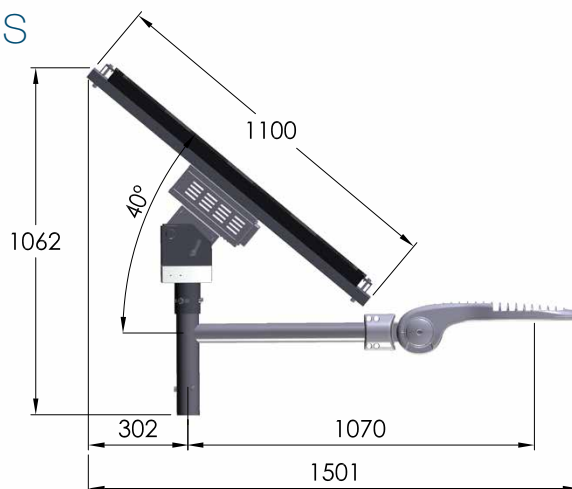
Angle adjustments	0° - 90°	
IP protection	IP 66	
LED	8	16
Power [W]	26	56
Light flux up to [lm]	2873	6188
Correlated colour temperature	4000 K (other upon request)	
Mounting height	Up to 6 m	Up to 10 m
Optics	7 different standard optics	
Lighting category according to EN13201	Me4b / Me5 / Me6 / S2 / S3 / S4 / S5 / S6	
Dimming	Manual / Automated (According to Solar charger)	

REMOTE PROGRAMMING AND MONITORING

The smart charger unit includes Bluetooth module for remote connection with your smart phone. Using the application, you can set dimming parameters and monitor the battery status, electrical current generated by solar panel, electrical current consumption and the temperature inside of the battery pack.



DIMENSIONS



LUMENIA